

Everyday value range
Cooking System, Hoods and Sinks
(Prices shown include VAT)
Promotion from
June to December 2023 — EN

Everyday value range

**Having a budget doesn't mean
compromising on quality with the
Falmec 'Everyday Value' Range.**

**Falmec is a family company,
internationally recognised for
exceptional engineering, powerful
extraction and award-winning design.**

**When efficient extraction
and style matters, professionals
choose Falmec.**

falmec

Index

04	<i>Cooking System</i>
06	Zero Easy
08	<i>Hoods</i>
10	Lumen
10	Mercurio
12	Virgola
14	Burano
14	Built-in
16	Verso
18	<i>Sinks and Water Taps</i>
20	Como 45 - 50 - 70
22	Iseo 50 - 70
26	Iseo
28	Easy
31	<i>Terms & Conditions</i>
32	<i>Contacts</i>



Cooking System

Falmec are world leaders in cooking system technology, producing the finest induction hobs with powerful extraction and easy to use controls; more importantly, they are easy to clean too. For more information on the Zero Easy, please go to our website www.falmec.uk



☰ || 🔌

+ + + 0 0
- - - 0 0
0 1 2 3 4 5 6 7 8 9 P 0 0

falmecc

Zero Easy New

Motor

600 m³/h

9 levels + boost

designed for recirculation

Energy Class

A+

Filters

Regenerable 3 year

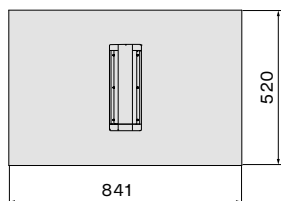
Carbon/Zeo (top access)

Control

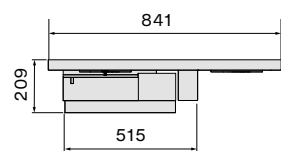
Slider Touch control

Weight

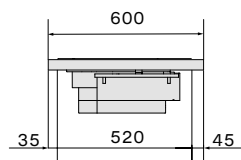
28kg



Top view



Front view



Lateral view



Size	Finishing	Code	Price (£)
84 cm	Tempered black glass	900940	1.995



Hoods

A collection of hoods with a contemporary flavour to satisfy every desire and need in the kitchen. An ongoing, shared “work in progress” that has allowed us to create a range inspired by absolute perfection: in its forms, its materials and its technologies.



Lumen

Motor

800 m³/h

Lighting

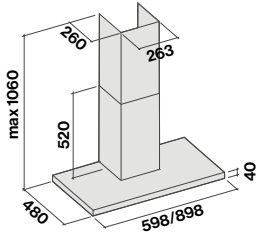
Led 5700 K

Control

Electronic control

Finishing

Scotch Brite stainless steel (AISI 304)



Size	Finishing	Code	Price (£)
60 cm	Scotch Brite stainless steel (AISI 304)	364483	625
90 cm	Scotch Brite stainless steel (AISI 304)	364490	650

Mercurio

Motor

600 m³/h

Lighting

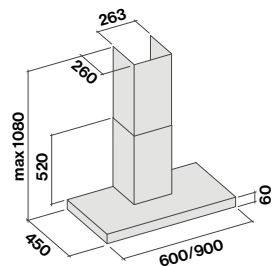
Led 2x1,2 W (3200 K)

Control

Electronic control

Finishing

Scotch Brite stainless steel



Size	Finishing	Code	Price (£)
60 cm	Scotch Brite stainless steel	363134	375
90 cm	Scotch Brite stainless steel	363158	395
60 cm	Matte black painted steel	363141	415
90 cm	Matte black painted steel	363165	435



Virgola EVO

Motor

600 m³/h

Lighting

Dynamic Led Light

Led 2x1,2 W (2700-5600 K)

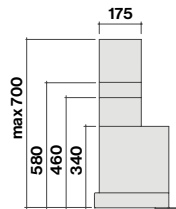
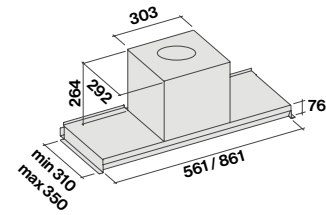
Control

Touch control

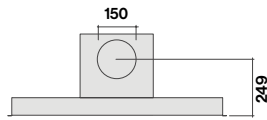
Tempered clear or smoked black glass

Energy Class

B



Side view with optional chimney



Rear view



Size	Finishing	Code	Price (£)
60 cm	Scotch Brite stainless steel	363448	395
90 cm	Scotch Brite stainless steel	363561	415
60 cm	Matte black painted steel	363462	415
90 cm	Matte black painted steel	363585	430





Burano

Motor

600 m³/h

Perimeter extraction

Lighting

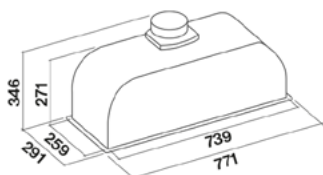
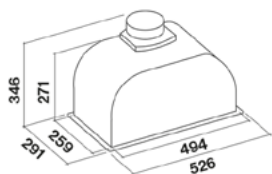
Led Light

Led 2x1,2 W (3200 K)

Control

Touch control

Tempered clear or smoked black glass



Cut-out size

50 cm: 506 mm x 262 mm

70 cm: 751 mm x 262 mm



Size	Finishing	Code	Price (£)
50 cm	Scotch Brite stainless steel	362007	395
70 cm	Scotch Brite stainless steel	362038	415
50 cm	Matte black painted steel	362021	415
70 cm	Matte black painted steel	362052	430

Built-in

Motor

600 m³/h

Lighting

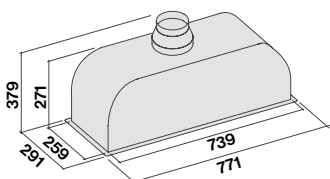
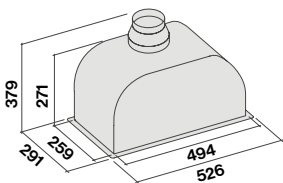
Led 2x1,2 W (3200 K)

Control

Mechanical control

Finishing

Scotch Brite stainless steel



Cut-out size

50 cm: 506 mm x 262 mm

70 cm: 751 mm x 262 mm



Size	Finishing	Code	Price (£)
50 cm	Scotch Brite stainless steel	504421	265
70 cm	Scotch Brite stainless steel	504438	275



Verso

Motor

800 m³/h

Lighting

Dynamic Led Light

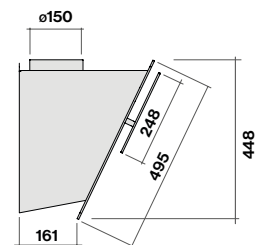
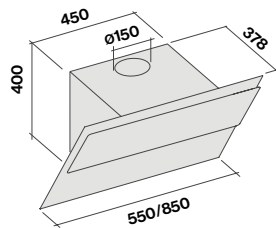
Led 2x1,2 W (2700-5600 K)

Control

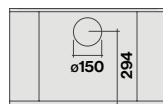
Touch control

Finishing

Tempered white, black or grey glass



Lateral view



Rear view



Size	Finishing	Code	Price (£)
55 cm	Tempered black glass	358734	575
55 cm	Tempered white glass	358758	575
55 cm	Tempered grey glass	361635	575
85 cm	Tempered black glass	358741	595
85 cm	Tempered white glass	358765	595
85 cm	Tempered grey glass	361642	595

Black glass/White glass/Grey glass





Sinks and taps

Falmec's new range of sinks and taps denotes pure quality and value.

Made from the finest medical grade stainless steel and designed to work in the most demanding domestic kitchens, this collection won't let you down and will always hold its ultra bright finish.

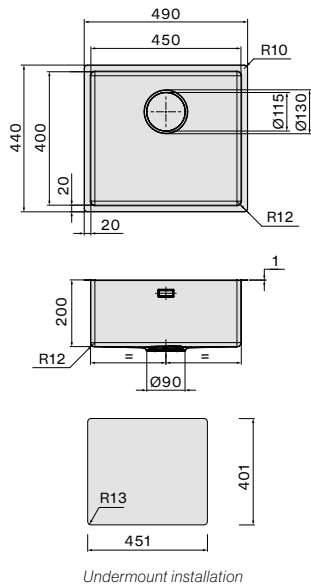
All Falmec Stainless steel sinks come with a Lifetime Warranty. Please refer to our terms and conditions below.



Como 45

Dimensions

Cabinet 50 cm undermount
 Ext dimension 490 x 440 mm
 Bowl dimension
 450 x 400 mm
 Bowl depth 200 mm

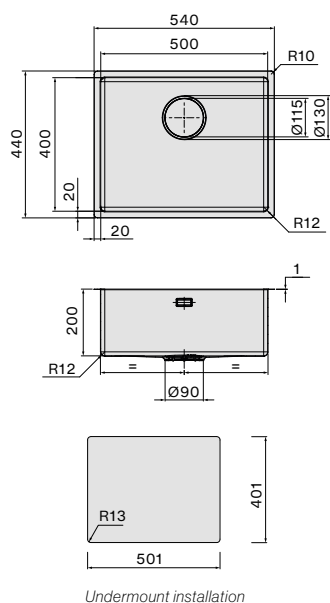


Size	Finishing	Code	Price (£)
50 cm	AISI 304 18/10 stainless steel	900469	325

Como 50

Dimensions

Cabinet 60 cm undermount
 Ext dimension 540 x 440 mm
 Bowl dimension
 500 x 400 mm
 Bowl depth 200 mm

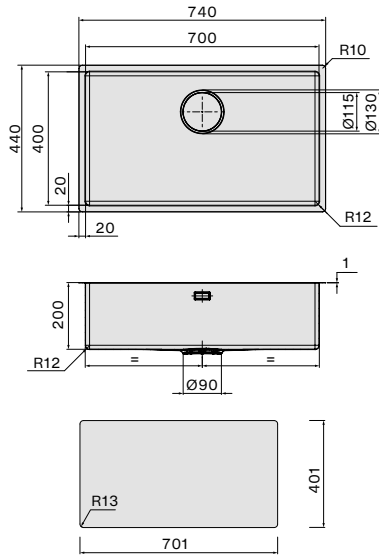


Size	Finishing	Code	Price (£)
60 cm	AISI 304 18/10 stainless steel	900513	355

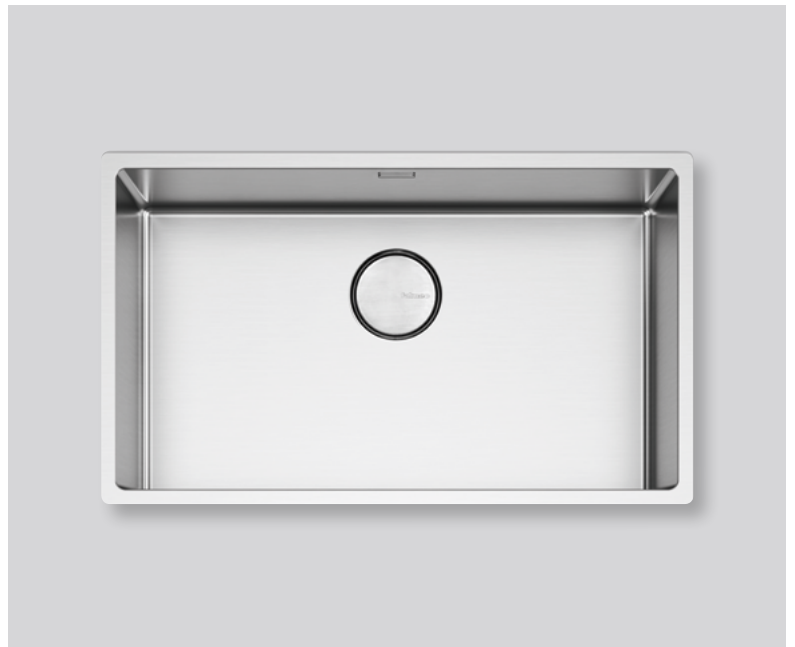
Como 70

Dimensions

Cabinet 80 cm undermount
Ext dimension 740 x 440 mm
Bowl dimension
700 x 400 mm
Bowl depth 200 mm



Undermount installation



Size	Finishing	Code	Price (£)
80 cm	AISI 304 18/10 stainless steel	900537	375

Iseo 50 White

Dimensions

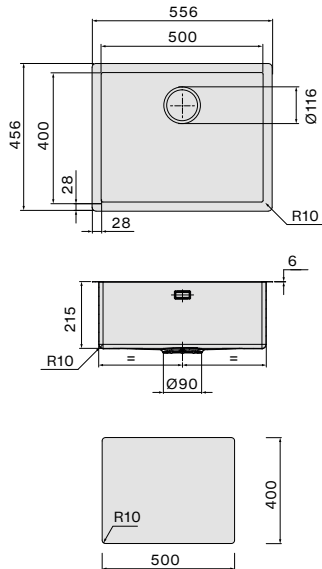
Cabinet 60 cm top mount/undermount

Ext dimension 556 x 456 mm

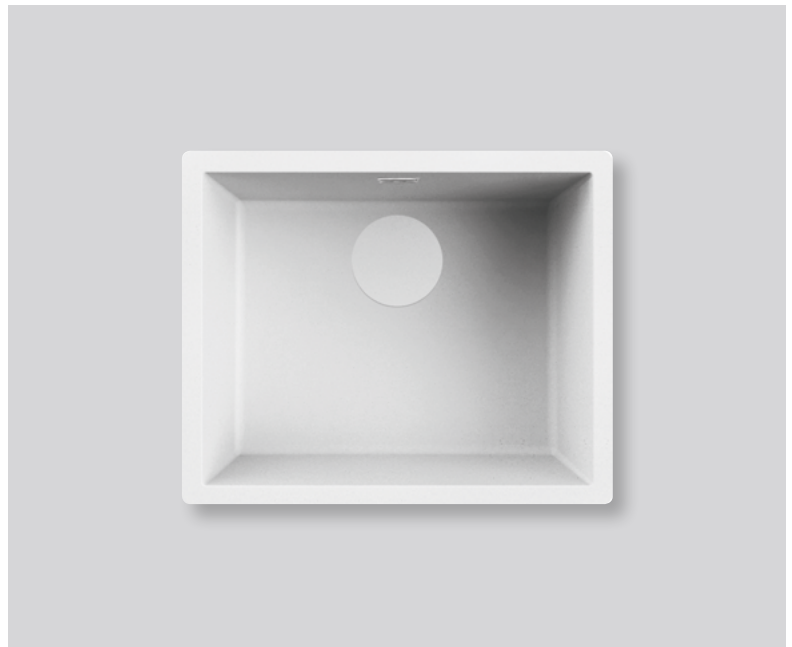
Bowl dimension

500 x 400 mm

Bowl depth 200 mm



Undermount installation



Size	Finishing	Code	Price (£)
50 cm	Ceramix white	900797	395

Iseo 50 Black

Dimensions

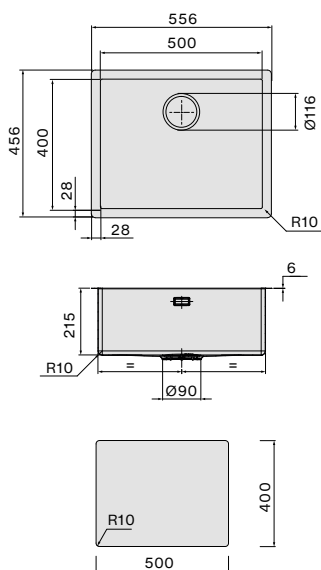
Cabinet 60 cm top mount/undermount

Ext dimension 556 x 456 mm

Bowl dimension

500 x 400 mm

Bowl depth 200 mm



Undermount installation



Size	Finishing	Code	Price (£)
60 cm	Ceramix black	900780	395

Iseo 70 White

Dimensions

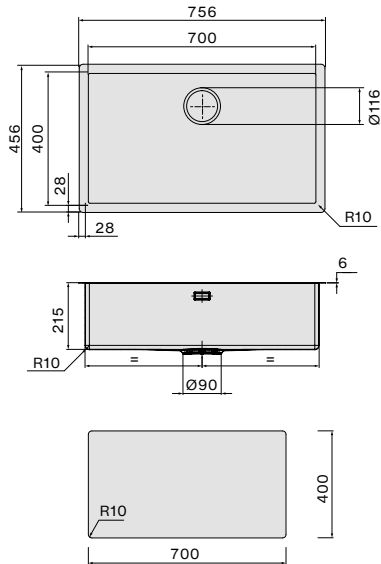
Cabinet 80 cm top mount/undermount

Ext dimension 756 x 456 mm

Bowl dimension

700 x 400 mm

Bowl depth 200 mm



Undermount installation



Size	Finishing	Code	Price (£)
70 cm	Ceramix white	900810	445

Iseo 70 Black

Dimensions

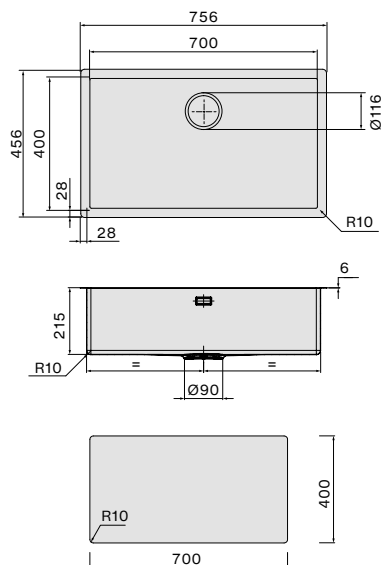
Cabinet 80 cm top mount/undermount

Ext dimension 756 x 456 mm

Bowl dimension

700 x 400 mm

Bowl depth 200 mm



Undermount installation



Size	Finishing	Code	Price (£)
70 cm	Ceramix black	900803	445







Iseo Corner

Iseo Round

Single-lever sink mixer with swivel spout and retractable hand shower 3/8" female connection hoses. Cut-out ø35 mm

Single-lever sink mixer with swivel spout 3/8" female connection hoses. Cut-out ø35 mm

Finishing	Code	Price (£)
Painted White	900841	288
Painted black	900834	288

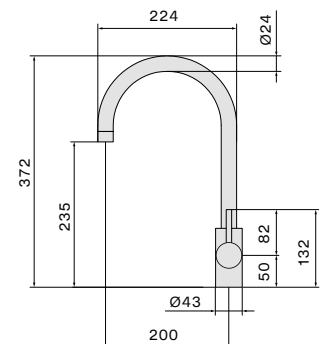
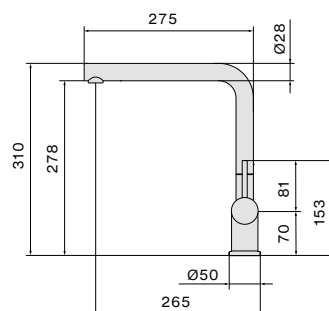
Finishing	Code	Price (£)
Painted White	900889	255
Painted Black	900872	255



Painted White / Black



Painted White / Black





Easy



Easy Square

Easy Round

Easy Corner

Single-lever sink mixer with tubular swivel spout 3/8" female connection hoses. Cut-out ø35 mm

Single-lever sink mixer with tubular swivel spout 3/8" female connection hoses. Cut-out ø35 mm

Single-lever sink mixer with tubular swivel spout and retractable hand shower 3/8" female connection hoses. Cut-out ø35 mm

Finishing	Code	Price (£)
Chrome	900629	260
Painted black	900636	295

Finishing	Code	Price (£)
Chrome	900605	260
Painted black	900612	295

Finishing	Code	Price (£)
Chrome	901008	295



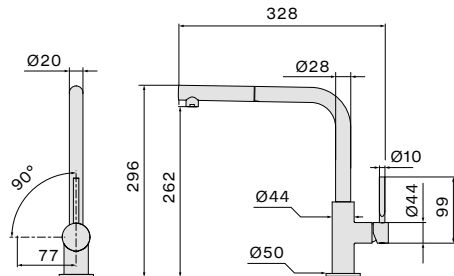
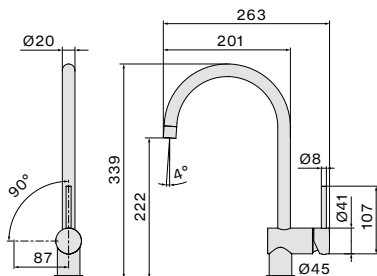
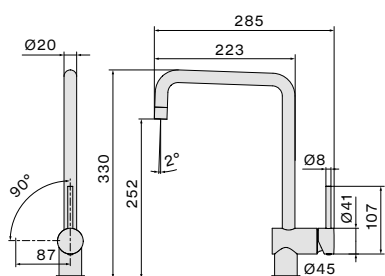
Chrome / Painted black



Chrome / Painted black



Chrome







Falmec Kitchen Appliances Ltd Product Guarantee

Note: Falmec products are only guaranteed for use in a domestic installation.

The guarantee period covers fault/s in the manufacturing process. It is the judgement of Falmec to determine the appropriate remedial action.

Remedial action refers to an engineer visit and/or replacement parts and/or an FOC product replacement.

Falmec will not be responsible for consequential costs nor costs incurred by non-Falmec employees.

APPLIANCES

Cooker Hoods & Hobs – 24 Months

SINKS

St Steel Sinks – 60 Months

Ceramix Sinks – 60 Months

PVD Sinks – 60 Months

TAPS

Taps - Guarantee excludes cosmetic & mechanical damage due to limescale.

Surface – 12 Months

Cartridges – 24 Months - Excepting leakage caused by foreign bodies abrading the disc/s.

Guarantee periods commence from date of product ownership. In the event of a claim under the guarantee, Falmec will require proof of the date of ownership or proof of date of occupancy.

Falmec Uk

Info@falmec.uk
01 727 830 380

Falmec S.p.A

via dell'Artigianato, 42 z.i.
31029 Vittorio Veneto
Treviso — Italy
info@falmec.com
falmec.com

falmec